

		9040	7045	7040	7030	6030 CP
Performance data						
Lifting capacity	kg	4000	4400	4000/4400 ¹	3300/3500 ²	3000
Lifting height	mm	8950	7100	7100	7100	6050
Engine						
Manufacturer		Deutz (diesel)	Deutz (diesel)	Deutz (diesel)	Deutz (diesel)	Deutz (diesel)
Model		TCD 2012 L04	TCD 2012 L04	TCD 2012 L04	TCD 2012 L04 2V	TD 2011 L04
Output at 2400 rpm (ISO 14396) ³	kW/hp	88/120 or 103/140	103/140	88/120	88/120	74.9/102
Max. torque at 1500 rpm	Nm	420/520	520	420	420	350 ⁴
Number of cylinders		4	4	4	4	4
Cubic capacity	cm ³	4040	4040	4040	4040	3620
Drive train						
Hydrostatic		VARIPOWER (PLUS)	VARIPOWER PLUS	VARIPOWER	VARIPOWER	Hydrostat/VARIPOWER
Ratios	km/h	0–7/0–30	0–7/0–30	0–7/0–30	0–7/0–30	0 – 7 / 15 / 0 – 30
Top speed	km/h	30/40	40	30/40	40	30/40
Filling volumes						
Diesel fuel tank ⁵	l	190	190	190	190	120
Hydraulic oil tank ⁶	l	100	100	100	100	105
Axles						
Front/rear axle						Planetary, steered-drive axle
Front differential lock		100%	100%	100%	100%	Self-locking 45%
Steering lock	degrees	max. 40/40	max. 45/45	max. 45/45	max. 45/45	max. 45/45
Operating and parking brake, 40-km/h version						
Type		Foot-operated dual circuit, power-assisted hydraulic brakes				Hydraulic disc brake
Location		Front and rear axle				Drive shaft (front and rear axle)
Steering (hydrostatic)						
Steering type 0–30 km/h						All-wheel steering, crab steering
Steering type 0–40 km/h ⁷						Front-axle steering
Hydraulic system						
Gear pump, load-sensing valve	74.9 kW	–	–	–	–	84 l / 240 bar
Load-sensing pump, load-sensing valve	74.9 kW	–	–	–	–	135 l / 240 bar
Gear pump, load-sensing valve	88 kW	–	–	110 l / 210 bar	110 l / 210 bar	–
Load-sensing pump, load-sensing valve	88 kW	150 l / 250 bar	–	150 l / 250 bar (○)	150 l / 250 bar (○)	–
Load-sensing pump, load-sensing valve	103 kW	150 l / 250 bar	150 l / 250 bar	–	–	–
Servo control unit		4–7-speed	4–7-speed	4–7-speed	4–7-speed	4-speed
Weights						
Tare weight ⁸	kg	8600	8100	8100 ¹ /7800 ² /7500 ⁹	7200 ⁹ /7500 ²	5600
Permissible total weight	kg	10,000	10,000	10,000	10,000	8500

	9040	7045	7040	7030	6030 CP
Tyres					
Tyre sizes	15.5-25 EM60 149B IND	15.5-25 EM60 149B IND	15.5-25 EM60 149B IND	15.5-25 EM60 149B IND	405/70-20 MPT01 AS
	17.5 LR24 A-570 150 A8 AS	17.5 LR24 A-570 150 A8 AS	17.5 LR24 A-570 150 A8 AS	17.5 LR24 A-570 150 A8 AS	425/75 R20 XZSL 155A2 IND
	460/70 R24 XMCL 159A8 AS	460/70 R24 XMCL 159A8 AS	460/70 R24 XMCL 159A8 AS	460/70 R24 XMCL 159A8 AS	405/70 R24 MPT01 AS
	460/70-24 TR01 159A8 AS	460/70-24 TR01 159A8 AS	460/70-24 TR01 159A8 AS	460/70-24 TR01 159A8 AS	405/70 R24 SPT9 IND
	460/70 R24 152A8 IND	460/70 R24 152A8 IND	460/70 R24 152A8 IND	460/70 R24 152A8 IND	460/70 R24 XMCL 159A8 AS
	19.5 LR24 A-570 149A8 AS	19.5 LR24 A-570 149A8 AS	19.5 LR24 A-570 149A8 AS	19.5 LR24 A-570 149A8 AS	17.5 LR24 A-570 150 A8 AS
	500/70 R24 IT 530 IND	500/70 R24 IT 530 IND	500/70 R24 IT 530 IND	500/70 R24 IT 530 IND	–
	500/70 R24 XMCL 164A8 AS	500/70 R24 XMCL 164A8 AS	500/70 R24 XMCL 164A8 AS	500/70 R24 XMCL 164A8 AS	–
	440/70 R28 152A8 AS	440/70 R28 152A8 AS	–	–	–
	600/50-22.5 153A8 AS	600/50-22.5 153A8 AS	600/50-22.5 153A8 AS	600/50-22.5 153A8 AS	–

○ Optional – Not available

¹ Including optional 600-kg counterweight.

² Including optional 300-kg counterweight.

³ Values apply for TIER 3.

⁴ Max. torque at 1,600 rpm.

⁵ DIN 51601, at least 45 Cetan.

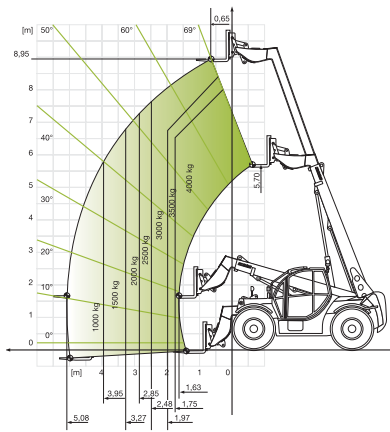
⁶ DIN 51524.

⁷ On the 40-km/h version, the high drive ratio is possible with front-wheel drive only

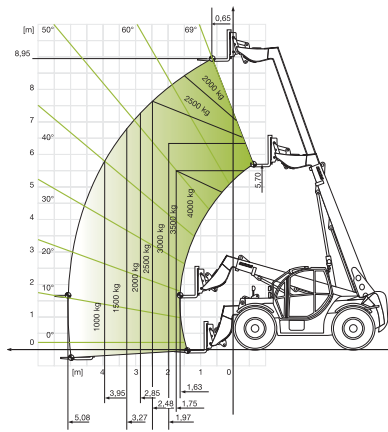
⁸ Without attachments, with operator and full diesel tank.

⁹ Without counterweight.

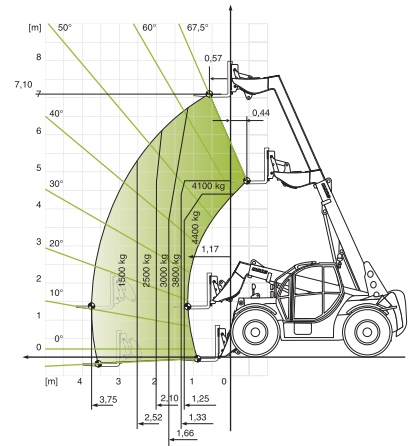
Excellence in every detail.



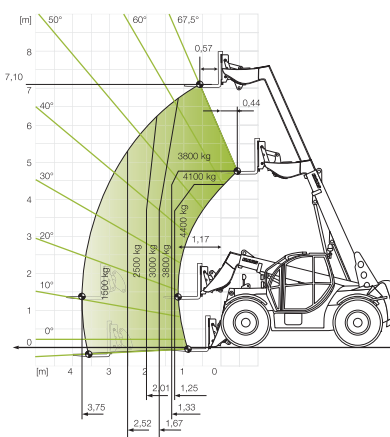
SCORPION 9040 with hydraulic levelling and rear-axle swivel lock



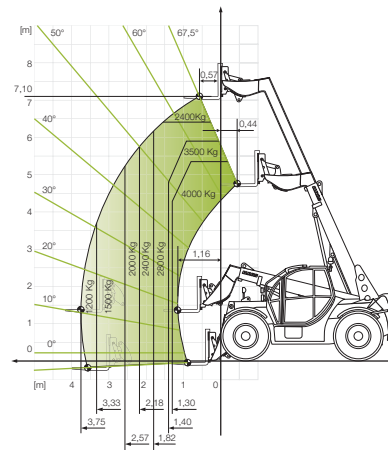
SCORPION 9040 with hydraulic levelling without rear-axle swivel lock



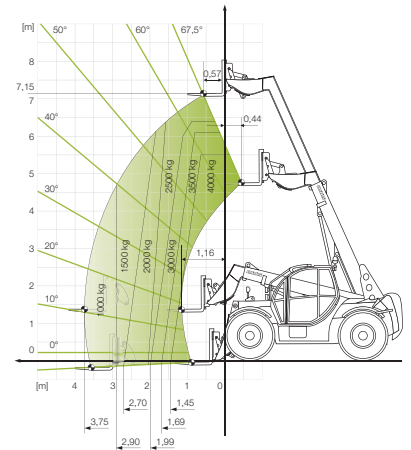
SCORPION 7045 with 600-kg counterweight



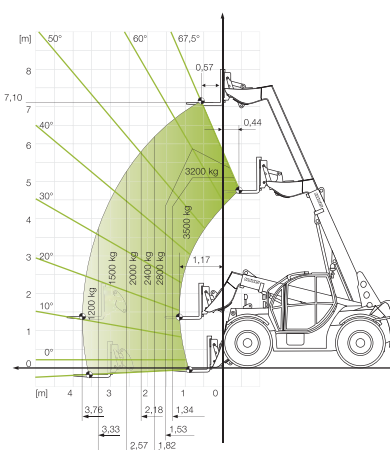
SCORPION 7040 with 600-kg counterweight



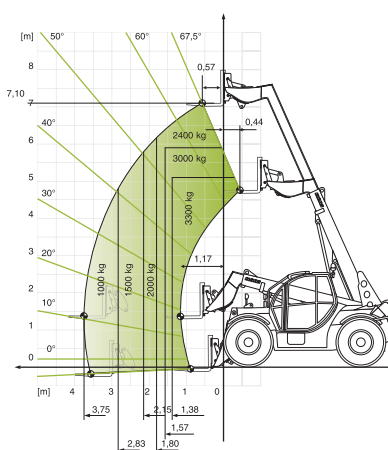
SCORPION 7040 with 300-kg counterweight



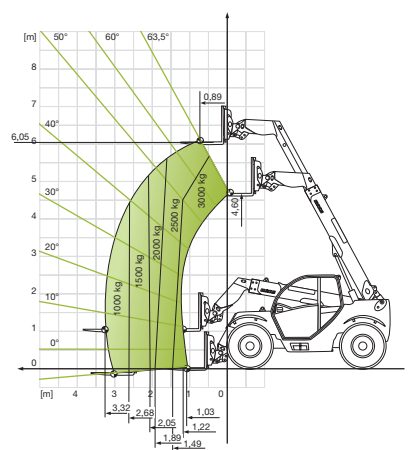
SCORPION 7040 without counterweight



SCORPION 7030 with 300-kg counterweight

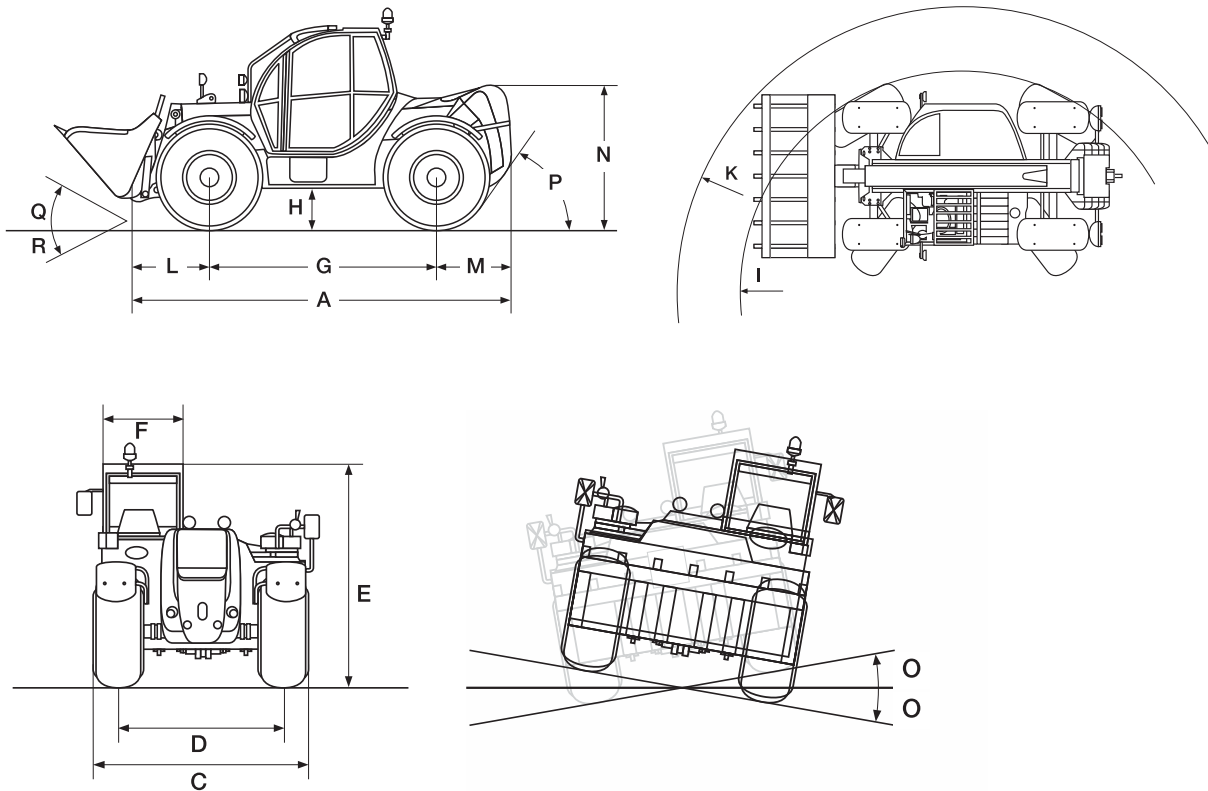


SCORPION 7030 without counterweight



SCORPION 6030 CP without counterweight

Load diagram in accordance with En 1459-B, load centre calculated at 500 mm from the fork arm rear face. The load diagrams for the SCORPION 9040 without hydraulic levelling are not shown. Lifting heights calculated with 15.5/80-24 tyres.



		9040	7045	7040	7030	6030 CP ¹
Dimensions						
A	Length incl. carriage	mm	5590	4760	4760	4760
C	Max. width	mm	2390	2390	2390	2250
D	Track width	mm	1920	1920	1920	1860
E	Height to cab roof	mm	2490	2490	2490	2210/2280 ²
F	Interior cab width	mm	920	920	920	920
G	Wheelbase	mm	3050	2850	2850	2750
H	Ground clearance	mm	470	470	470	415
I	Turning radius across wheels	mm	3750	3600	3600	3700
K	Turning radius with standard bucket	mm	5100	4550	4550	4600
L	Spacing from front-wheel centre line to carriage front plate	mm	1480	1010	1010	1090
M	Distance from rear-wheel centre line to back of machine	mm	1060	900	900	730
N	Height to boom	mm	1780	1750	1750	1600
O	Hydraulic levelling	degrees	+/- 10	-	-	-
P	Rear approach angle	degrees	50	47	47	45
Q	Downward tilt angle for pallet forks	degrees	20	20	20	22
R	Upward tilt angle for pallet forks	degrees	70	70	70	68
	Tip-out angle for standard bucket at top	degrees	45	45	45	41
	Total carriage swivel range	degrees	163	163	163	151

All values are based on 17.5 L 24 AS Profil tyres.

¹ Values are based on 405/70-20 AS Profil tyres. ² Values are based on 17.5 LR 24 tyres.

CLAAS continually develops its products to meet customer requirements. This means that all products are subject to change without notice. All descriptions and specifications in this brochure should be considered approximate and may include optional equipment that is not part of the standard specifications. This brochure is designed for worldwide use. Please refer to your nearest CLAAS dealer and their price list for local specification details. Some protective panels may have been removed for photographic purposes in order to present the function clearly. To avoid any risk of danger, never remove these protective panels yourself. In this respect, please refer to the relevant instructions in the operator's manual.

Specifications